

# **ROCKARMOR**

## **INSTALLATION GUIDE**



### **Vehicle:**

- **Toyota Landcruiser Prado 90 series (1996 – 2003)**

# **ROCKARMOR**

## **INSTALLATION GUIDE**

### **PLEASE READ THE FITTING INSTRUCTIONS CAREFULLY RECOMMENDATIONS:**

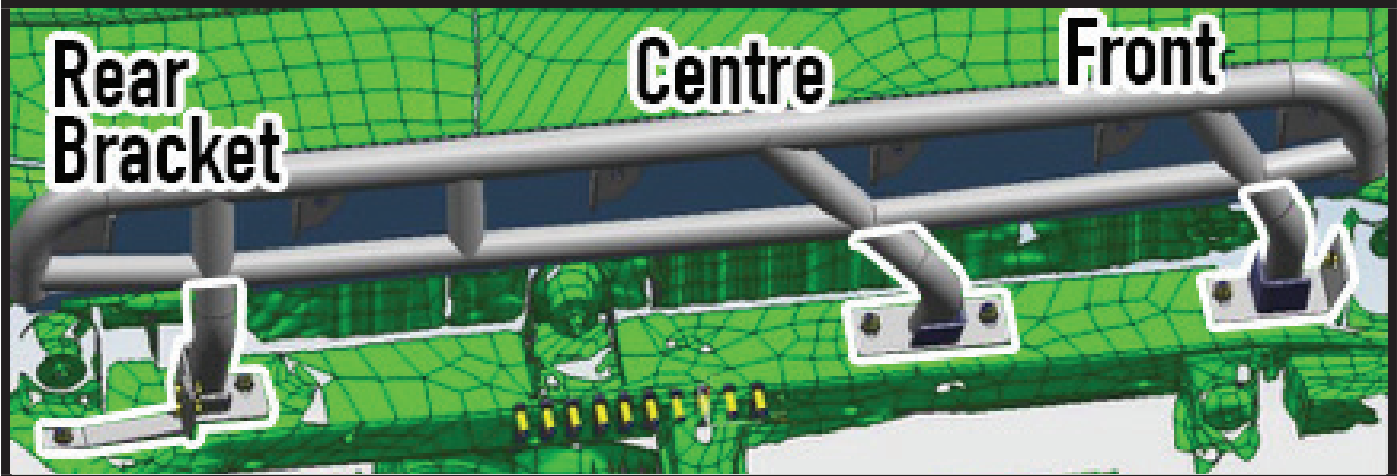
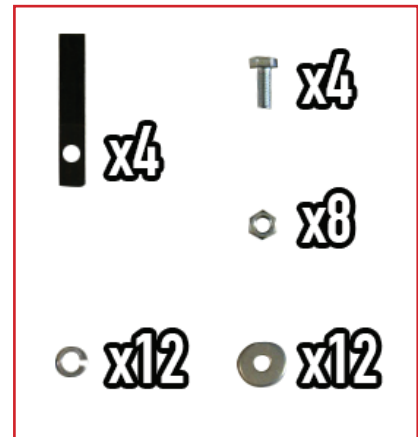
- Having a second person present to help with fitting the bar
- Do not dispose of any spare washers and bolts
- Take care when unwrapping, do not use knife on bar as it will mark the powder coat
- Cable tie all wires to the back of the bar when mounting in order for it to be out of the way
- Use a Qualified Auto Electrician when wiring the lights to the vehicle. (Wiring Looms Not included)
- **POWDER COATING** - Fit the bar to insure all parts align correctly prior to powder coating the bull bar
- Regular maintenance may be required, cleaning the bar will ensure longevity. Washing the bar after beach driving is highly recommended. If powder coating is scratched off we recommend painting the defected area to prevent rust.

### **NOTE:**

- Measure cut out before you start cutting .
- Do not dispose of genuine/original nuts and bolts as they are required.
- You may notice that there are a few spare washers and bolts, please do not dispose of the spares you may require spares later.
- Use flat washer and spring for every nut and bolt
- We Recommend that u use lock tight on all nuts and bolts .
- Insure all parts are accounted for prior to beginning the fitment.
- This item does not include the wiring loom, we recommend you use a qualified auto electrician to wire up your lights.

# Fitting Instructions – Sidesteps/Rocksliders

- Remove existing Side bar from the vehicle if any
- Unpack bulbar box
- Unwrap your new RockArmor Side Bar – please take care when doing so in order to avoid marking the powder coat when unwrapping.



- Check Chassis mounting points to insure all are in good condition
- There are 5 capture nuts to be inserted into the chassis 1 for the front bracket 2 for the centre bracket and 2 for the rear bracket.

- Picture of capture nut



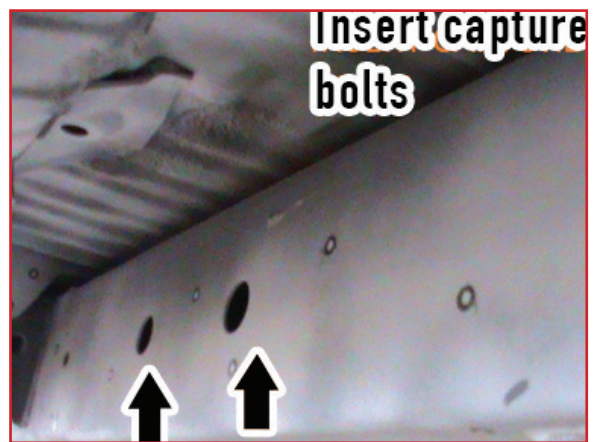


# Fitting Instructions – Sidesteps/Rocksliders

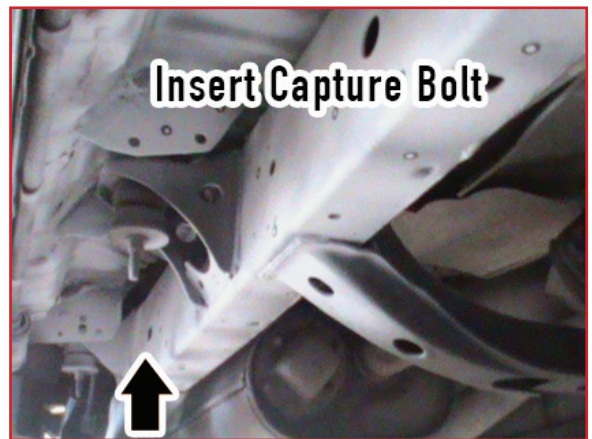
- Orientation of the capture nut must be as shown in the image



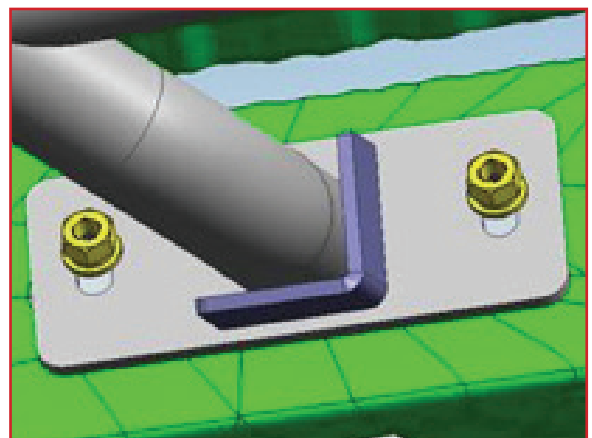
- Insert Capture Bolts into the following positions on the chasis



- Insert Capture Bolts into the following positions on the chasis

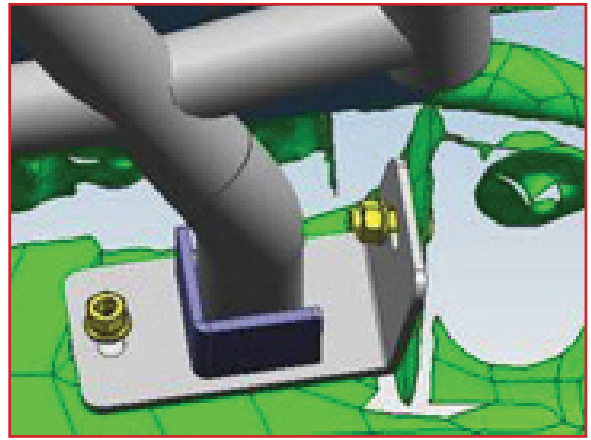


- Once you have inserted the capture nuts mount the steps to the vehicle using the bolts provided.
- Insert the bolts in the 2 centre bracket

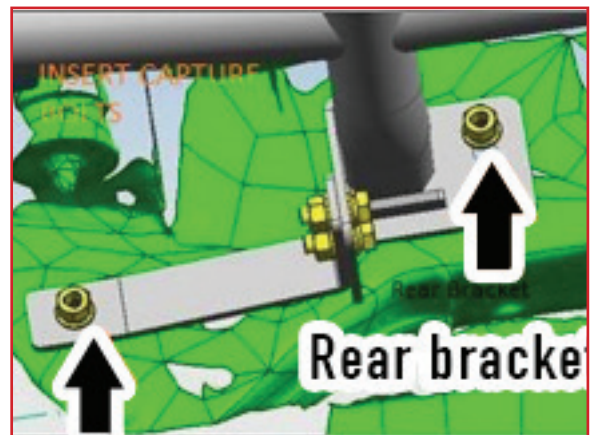


# Fitting Instructions – Sidesteps/Rocksliders

- Insert the bolt in the front bracket. Using the nut and bolt provided mount the second mounting point on the front bracket



- Mount the bolt in the rear mounting bracket.
- Mount the L bracket provided to the chassis near the rear bracket then using the nut and bolts provided join the rear bracket to the L bracket.



- Adjust the side bar then tighten all the bolts.

# Fitting Instructions – Sidesteps/Rocksliders

---

## Warranty

1.If any product or part of a product manufactured by Powerful4x4 Pty Ltd is found to be defective during a period of 12 months from date of purchase, Powerful 4x4 Shall repair (at the discretion of Powerful 4x4) the defective product or part.

2.Powerful 4x4 Pty Ltd does not warrant the products manufactured by it comply with the laws of the locality (May differ from State to state) where those products are purchased or used. It is the sole responsibility of the purchaser to ascertain whether products being purchased, or affixation of those products to any other object, comply with the local laws.

3.Except to the extent described in the warranty, Powerful 4x4 shall not be liable for any other claims, including claims arising from incorrect fitment, product or vehicle modification, faulty design, the use of the product on any indirect special or consequential damage or injury to any person, company or other entity.

4.Any Modification or alteration to any product manufactured by powerful 4x4 Pty Ltd to enable fitment in conjunction with other vehicle accessories or modifications will void warranty claims.

Please do not hesitate to contact us if you need any help with fitting of the bar  
[1300 554 923](tel:1300554923)

FROM EVERYONE AT POWERFUL4X4 WE HOPE YOU ENJOY YOUR NEW PREMIUM SERIES  
BULBAR AND WOULD APPRECIATE ANY FEEDBACK AND PHOTOS

PLEASE EMAIL YOUR PHOTOS & FEEDBACK TO

[sales@powerful4x4.com.au](mailto:sales@powerful4x4.com.au)

UNLESS OTHERWISE REQUESTED, SOME OF YOUR COMMENTS & PHOTOS MAY BE USED  
ON OUR WEBSITE OR PRINT MEDIA

PLEASE NOTE: Please check in your local state as to legislation with regards to adding accessories to your vehicle. Some products sold may be for off road use only. This responsibility lies with the owner of the vehicle.